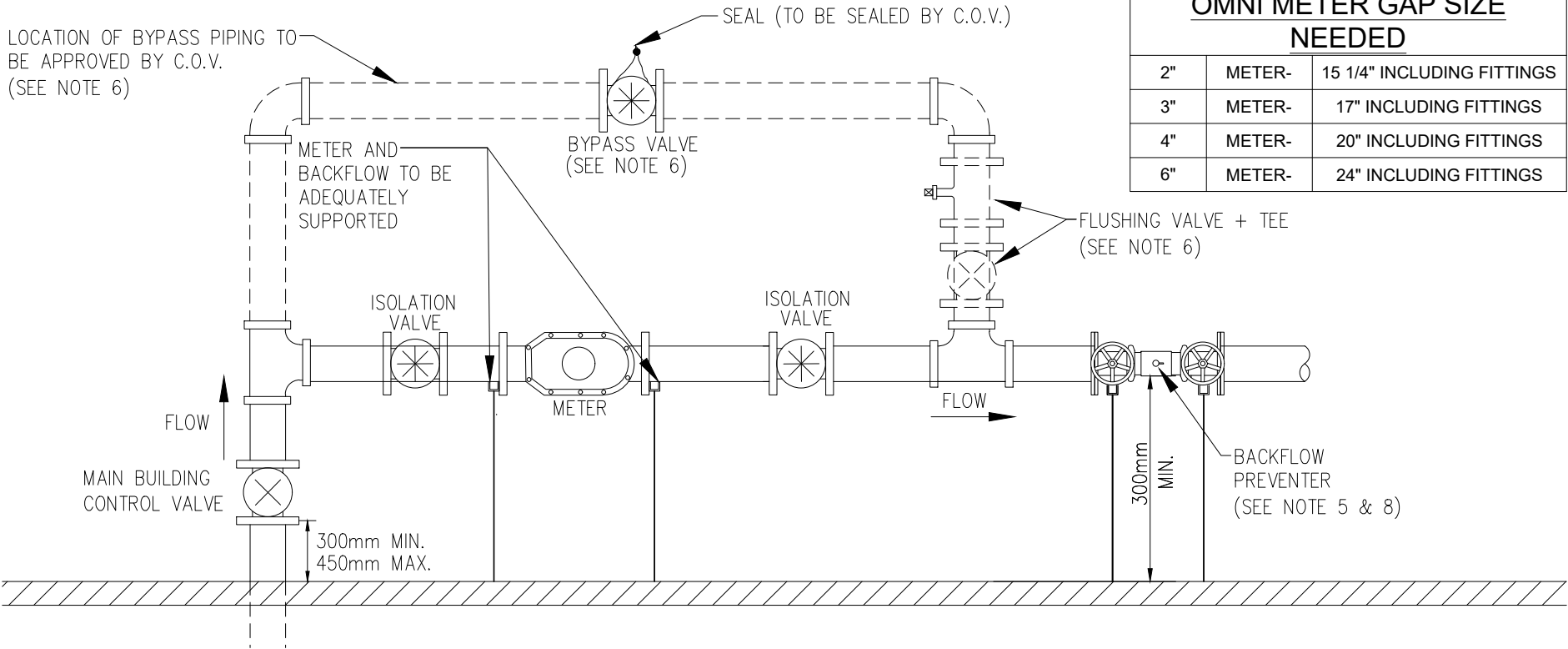


FILE: G:\Infrastructure Delivery\Infrastructure Programming\PMO\City Standards\Design Criteria 2020-21\City Standards Update Folder\CovStandardsDrawings\_CAD\_2021\W-109 - Industrial-Commercial Meter w. Backflow Preventer & Valve Installation.dwg



OMNI METER GAP SIZE NEEDED		
2"	METER-	15 1/4" INCLUDING FITTINGS
3"	METER-	17" INCLUDING FITTINGS
4"	METER-	20" INCLUDING FITTINGS
6"	METER-	24" INCLUDING FITTINGS

**NOTES:**

- MUST HAVE FULLY FUNCTIONAL ISOLATION VALVES:
  - ON INLET SIDE TO METER
  - ON OUTLET SIDE TO METER
- SHALL BE NO CONNECTIONS BEFORE THE METER AND PREMISE BACKFLOW DEVICE.
- BYPASS NEEDED FOR SERVICES 2" AND GREATER. BYPASS PIPE TO BE ONE (1) PIPE SIZE SMALLER THAN SERVICE CONNECTION OR MINIMUM 2" DIAMETER.
- STRAINER NOT REQUIRED WITH OMNI METERS.
- BACKFLOW DEVICE TO BE SELECTED, INSTALLED AND TESTED IN CONFORMANCE WITH C.S.A. B64. SELECTION AND INSTALLATION OF BACKFLOW PREVENTERS AND AS PER MANUFACTURE RECOMMENDATIONS.
- NO PERSON SHALL INSTALL OR PERMIT THE INSTALLATION OF A BYPASS UNLESS AUTHORIZED BY THE CITY AND THE BYPASS IS VALVED AND LOCKED PROPERLY. IF APPROVED LOCKABLE FLUSHING VALVE AND TEE ARE TO BE INSTALLED.
- REMOTE READER TO BE ACCESSIBLE FROM OUTSIDE BUILDING.
- BACKFLOW DEVICE TO COMPLY WITH WITH BYLAW 004-2018 AS AMENDED.
- WHERE METER ROOM IS NOT ADJACENT TO AN OUTSIDE WALL OR IS BELOW EXTERIOR FINISHED GRADE, CONTRACTOR/APPLICANT SHALL PROVIDE A CONTINUOUS CONDUIT, COMPLETE WITH NYLON FINISH LINE FROM METER ROOM TO 1000mm ABOVE EXTERIOR FINISHED GRADE.
- BACKFLOW DEVICES ARE PERMITTED TO BE INSTALLED IN PARALLEL ARRANGEMENTS IN ORDER TO ALLOW UNINTERRUPTED SERVICE DURING BACKFLOW MAINTENANCE.
- ALL PIPING BETWEEN WATER METER AND BACFLOW DEVICE TO BE CLEARLY AND PERMANENTLY LABELLED "NO CONNECTION PERMITTED".

IF RP DEVICE IS INSTALLED DRAINAGE IS REQUIRED AS PER CSA B64. 10-17, 6.8.1 + 6.8.2

4.		
3.		
2.		
1.		
REVISIONS		DATE



**CITY OF VAUGHAN ENGINEERING STANDARD**  
**INDUSTRIAL / COMMERCIAL**  
**METER with BACKFLOW PREVENTER AND**  
**VALVE INSTALLATION (METER ROOM)**

NOT TO SCALE      DESIGNED: \_\_\_\_\_      STD. DWG.  
 REVISION: \_\_\_\_\_      DATE: DEC. 2020      **W - 109**

**mm** DIMENSIONS IN MILLIMETRES EXCEPT AS NOTED